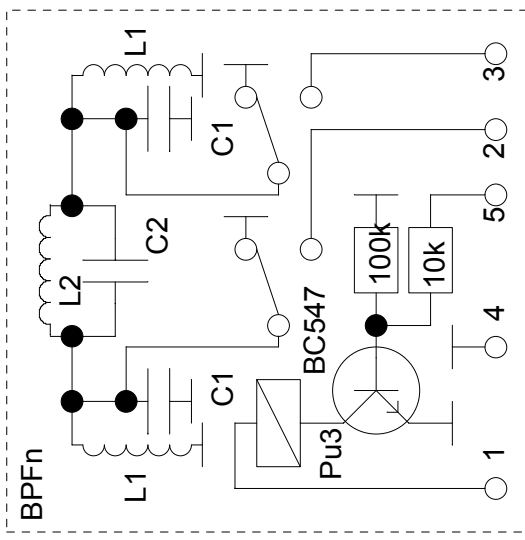


T1 - 3 \* 4t, T2 - 2 \* 4t, T3 - 2 \* 4t na rdzeniu dwuotworowym

Pu1, Pu2 - RSM822-6112 (12V, 360ohms)  
 Pu3 NA4W-K (5V, 120ohms)



band	BPF1	BPF2	BPF3	BPF4	BPF5	BPF6
0.2-1MHz	15u	4.7u	1.5u	0.82u	0.33u	0.22u
A	0	0	0	1	1	0
B	0	2	0	1	0	1
C	1	0	0	1	1	1
D	0	0	0	0	0	0
L1	10n	3.3n	2n	1n	680p	270p
L2	10u	10u	4.7u	2.2u	1.2u	0.47u
C2	12n	1.2n	680p	360p	180p	120p